



PS300 POWER SUPPLY

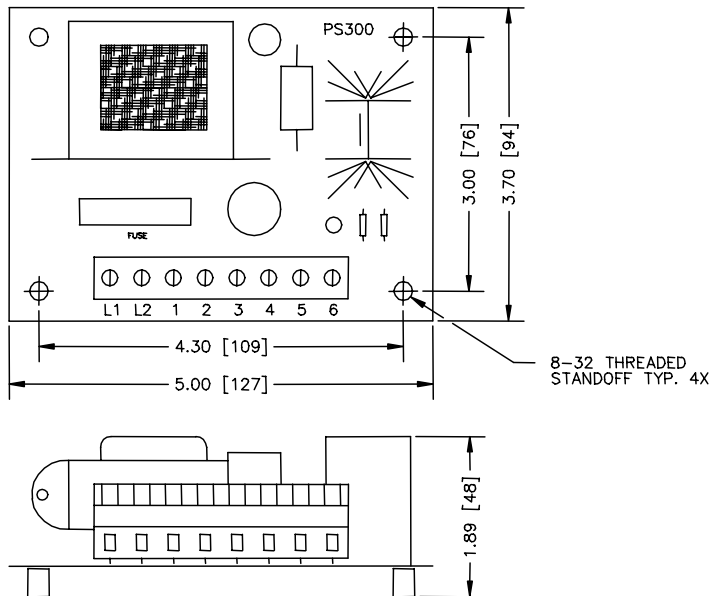


- ◆ **Input power 110 or 220 VAC**
- ◆ **Easy installation**
- ◆ **Power indicator LED**
- ◆ **Safety fuse protected**

DESCRIPTION

The PS-300 power supply consists of a sturdy PC board with 8-32 standoffs for easy mounting. The power supply is safety fuse protected to keep your system from damage should the power supply fail. It is double filtered for high noise rejection and has a power indicator LED.

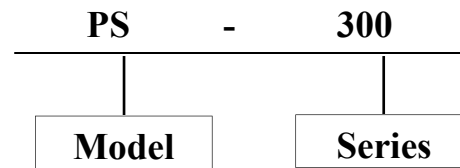
DIMENSIONS in inches (mm)



SPECIFICATIONS

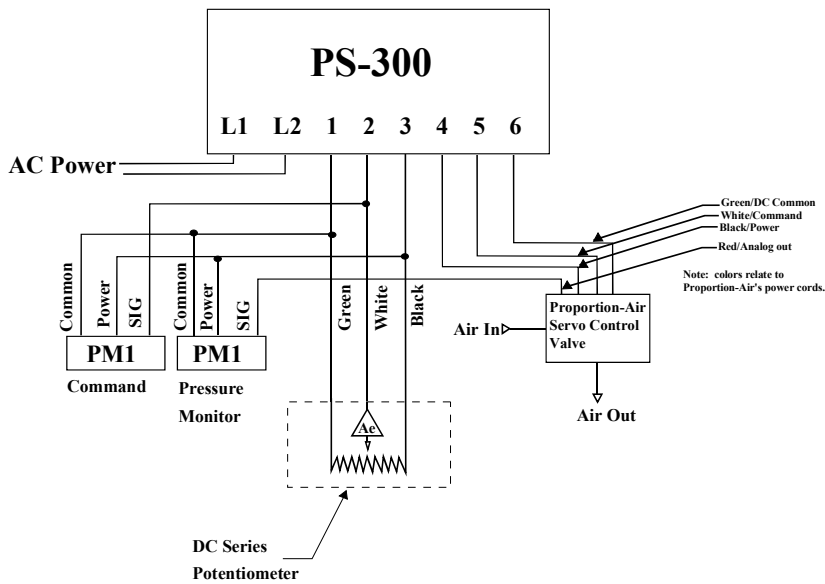
<u>Input Power</u>	110 VAC 220 VAC (both at 50-60 HZ)
<u>Regulated Output Power</u>	15 VDC at 600 mA +/- 0.6 VDC
<u>Physical</u>	8-32 threaded standoffs
<u>Weight</u>	
Net. Weight:	0.88 lbs. (0.40 Kg)
Shipping Weight:	1.08 lbs. (0.49 Kg)
<u>Operating Temperature</u>	32° to 158°F (0° to 70°C)

HOW TO ORDER



(Specify 110 or 220 volts when ordering)

PS-300 Connection Example

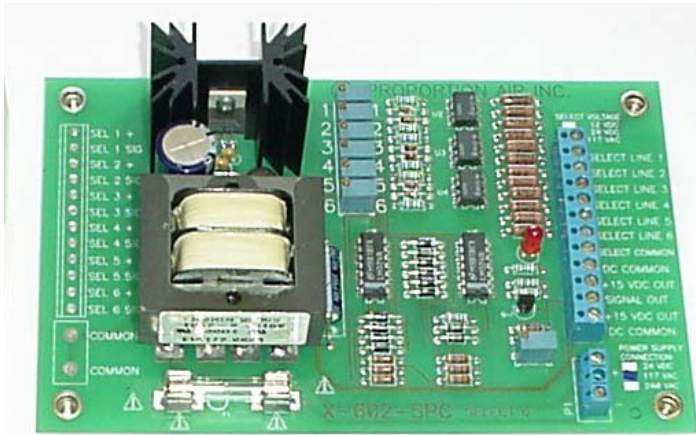


TERMINAL STRIP

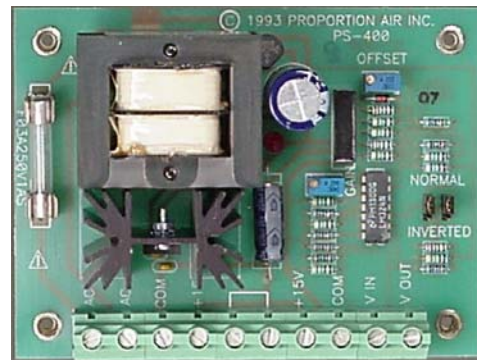
PCS#	FUNCTION
1	DC Common (-)
2	Command In (+)
3	+15 VDC
4	+15 VDC
5	Command Out (+)
6	DC Common (-)
L1	AC Line
L2	AC Line

* 2 and 5 are for wiring convenient only.

OTHER PROPORTION-AIR POWER SUPPLIES



SELECT SIX



PS-400

Proportion-Air products are warranted to the original purchaser only against defects in material or workmanship for one (1) year from the date of manufacture. The extent of Proportion-Air's liability under this warranty is limited to repair or replacement of the defective unit at Proportion-Air's option. Proportion-Air shall have no liability under this warranty where improper installation or filtration occurred.

All specifications are subject to change without notice. **THIS WARRANTY IS GIVEN IN LIEU OF, AND BUYER HEREBY EXPRESSLY WAIVES, WARRANTIES OR LIABILITIES, EXPRESS, IMPLIED OR STATUTORY, INCLUDING WITHOUT LIMITATION ANY OBLIGATION OF PROPORTION-AIR WITH REGARD TO CONSEQUENTIAL DAMAGES, WARRANTIES OF MERCHANTABILITY, DESCRIPTION, AND FITNESS FOR A PARTICULAR PURPOSE.**

WARNING: Installation and use of this product should be under the supervision and control of properly qualified personnel in order to avoid the risk of injury or death.

PROPORTION-AIR, INC.

BOX 218 MCCORDSVILLE, IN USA 46055

PHONE: (317)335-2602

FAX: (317)335-3853

web site: www.proportionair.com

email address: info@proportionair.com