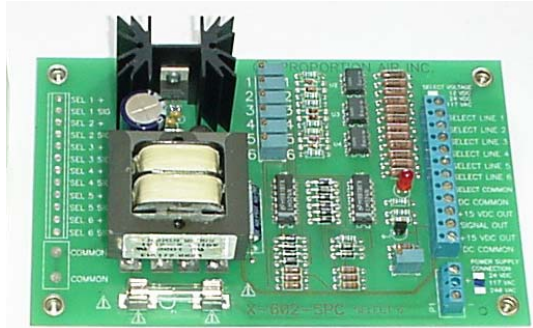


SELECT 6 POWER SUPPLY & COMMAND GENERATOR



- ◆ Input power 24VDC, 110 VAC or 220 VAC
- ◆ Combination of power supply & six channel command voltage generator
- ◆ Safety fuse protected

DESCRIPTION

The SELECT 6 is designed to provide electrical power and six selectable 0-10 vdc command voltages to Proportion Air's electro-pneumatic control valves. This product is very useful where up to six pressure set points are needed and no analog signal is available to command Proportion Air's control valves.

The SELECT 6 is a combination power supply and six channel command voltage generator. The power supply portion will deliver a regulated 15 vdc at 600 mA. The command generator is designed to accept an enable signal from a PLC or other controller and output a pre-set command voltage. The enable signals are completely isolated from the rest of the signal circuitry and power supply with an opto-coupler, however they share a common return line. There are six selectable 0-10 vdc channels. The output voltage for each channel is user settable by adjusting the corresponding potentiometer.

The SELECT 6 also includes a master gain potentiometer which sets the maximum output voltage for all six of the selectable channels. The master gain potentiometer can be used to limit the maximum command signal that a Proportion Air servo valve receives.

The SELECT 6 can be configured to accept input power of 220 VAC, 110VAC, or 24 VDC. The enable lines can be configured to accept 12VDC, 24VDC, or 110VAC. All the enable lines must accept the same voltage as they share a common return wire.

The Select 6 can be configured with remote potentiometers such that each channel output voltage can be adjusted from a remote location.

SPECIFICATIONS

PARAMETER	MIN	TYP	MAX	UNITS
Operating Temperature	0 32		50 122	deg. C deg. F
Power Supply: Input Voltage (1)	18 100 200	24 110 220	26 130 240	VDC VAC VAC
Output voltage	14.4	15.0	15.6	VDC
Line Regulation		4		mV
Load Regulation		12	150	mV
Output Noise		90	150	uV
Output Current			600	mA
Select Lines: Input Voltage (1)	10.2 21.6	12 24 120	14 26 130	VDC VAC VAC
Input Impedance				
12 Vdc		2		K-ohm
24Vdc		4		K-ohm
110 Vdc		18		K-ohm
Current		6		mA
Isolation		2500		VDC
Signal Section: Output Voltage	0		10	VDC
Output Current (2)			25	mA

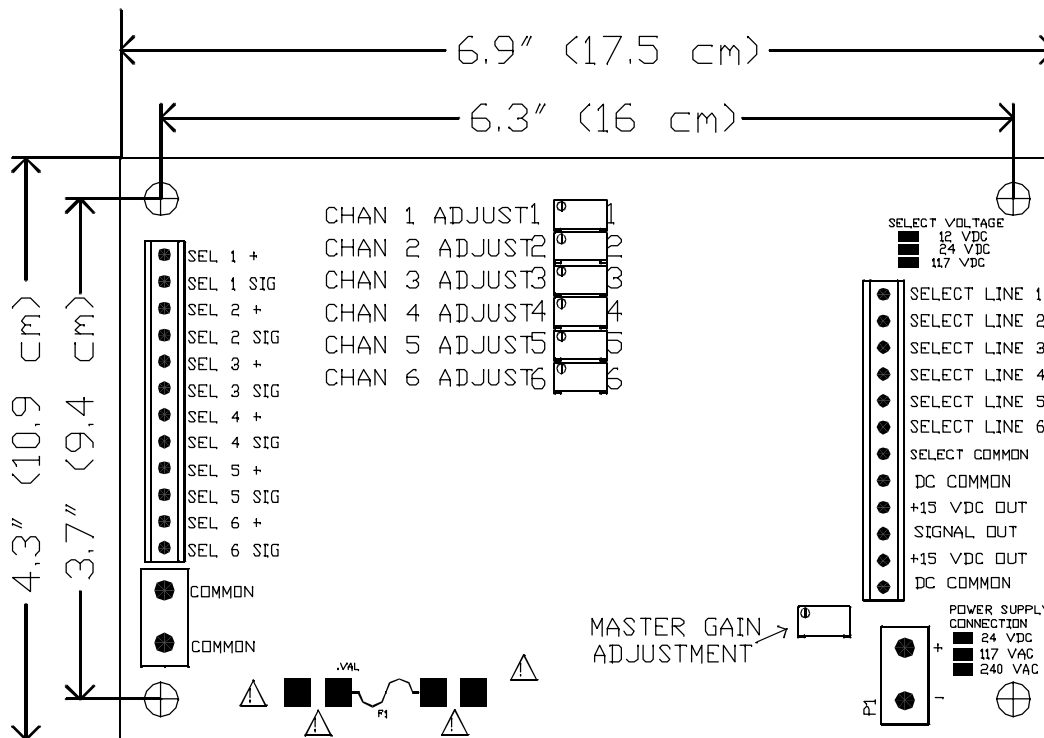
(1) Select when Ordering.

(2) Tested at 2500 Vdc between select line and signal circuitry with less than 1 uA leakage.

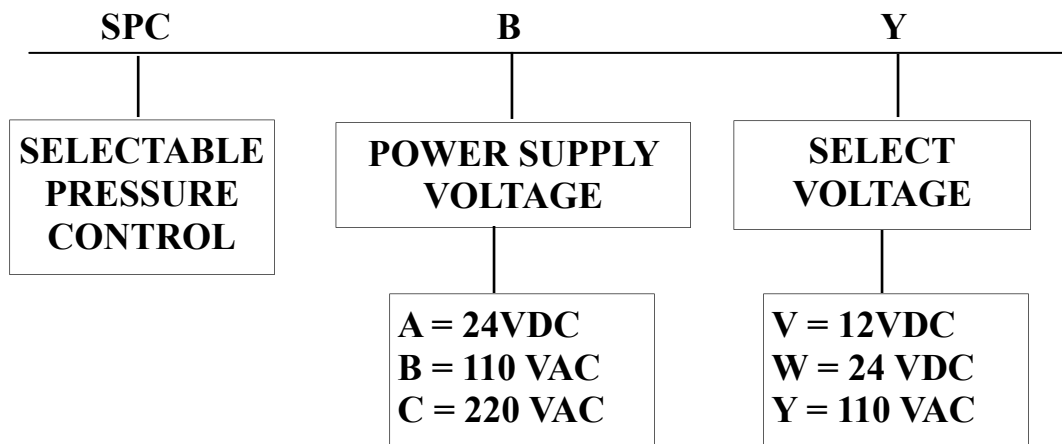
NOTE:

Controllers utilizing TRIAC outputs to enable the select lines generally have a small amount of leakage current through the TRIAC resulting in the select line being enabled at all times. Controlling elements such as switches and relays work the best.

DIMENSIONS in inches (mm)



ORDERING INFORMATION



When ordering a Select 6, two items must be considered. POWER SUPPLY available and VOLTAGE. Power supply simply refers to the power available to operate the Select 6. The select voltage is determined by the supply available to activate the select lines.

PROPORTION-AIR, INC.
BOX 218 MCCORDSVILLE, IN USA 46055
PHONE: (317)335-2602 **FAX: (317)335-3853**
web site: www.proportionair.com **email address: info@proportionair.com**

BRSELECT6
06/25/04 NK