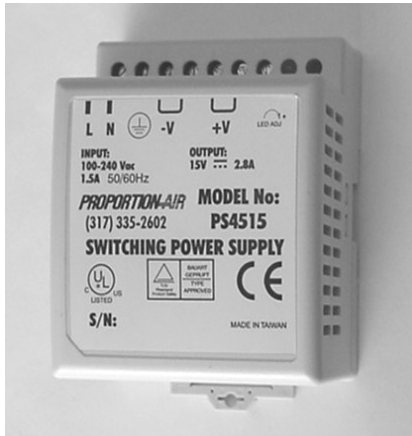




PS4515 & PS4524

42-48 W SINGLE OUTPUT DIN RAIL POWER SUPPLY

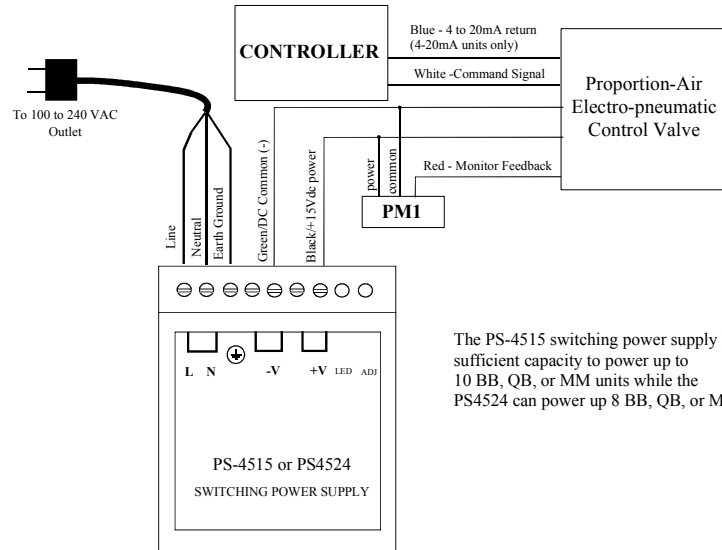


- DIN rail mounted
- Low cost, high reliability
- High efficiency, low working temp.
- Built in EMI filter, low ripple noise
- compact size & light weight
- 100% full load burn-in test
- Short circuit / over load protection
- CE & UL approved

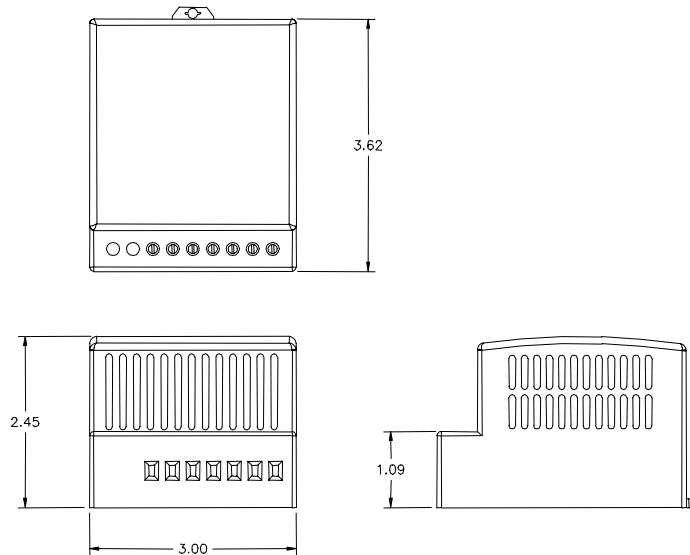
SPECIFICATIONS

DC Output Voltage:	PS4515.....	15V
	PS4524	24V
Output V. Tolerance.....		+/- 1%
Output Rated Current	PS4515.....	2.8A
	PS4524	2.0A
Output Current Range	PS4515.....	0-2.8A
	PS4524	0-2.0A
Max Ripple & Noise	PS4515.....	240mVp-p
	PS4524	48Vp-p
Line Regulation.....		+/- 1%
Load Regulation.....		+/- 1%
DC Output Power.....		42W
Efficiency	PS4515.....	77%
	PS4524	80%
DC Voltage Adjustment.....		+/- 10%
Input Voltage Range.....		85-264VAC; 120-370VDC
AC Current.....		1.5A/115V 0.75A/230V
Input Frequency.....		47-63Hz
Inrush Current.....		cold start, 30A/ 115V, 60A/230V
Overload Protection.....		105%-150% output constant current limiting reset: Auto recovery
Over Temp. Protection.....		Tj 135°C (275°F) typically power shutdown
Over Voltage Protection.....		115%-135%
Setup, Rise, Hold Up Time.....		800ms, 60ms, 50ms
Withstand voltage.....		I/P-0/P:3KV, I/P-FG:1.5KV, 1min
Working Temp., humidity.....		-10°C- +50°C (14°F to +122°F), 20%-90% RH
Storage Temp., humidity.....		-20°C- +85°C (-4°F to +185°F), 10%-95% RH
Safety Standard.....		Meet TUV EN60950 & UL 508 requirement
Connection.....		7P/0.25 in (6.35mm) pitch terminal block
Dimension.....		3.54 x 2.95 x 2.56 in (90 x 75 x 65 mm)
Weight.....		0.88 lb (0.4 Kg)

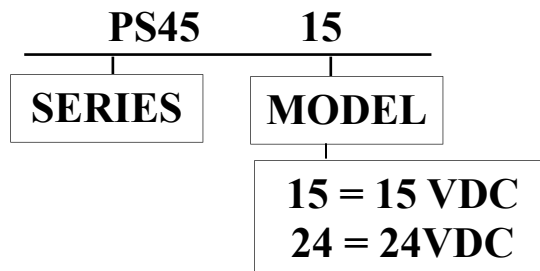
PS4515 & PS4524 CONNECTION EXAMPLE



DIMENSIONS in inches (mm)



ORDERING INFORMATION



PROPORTION-AIR, INC.
BOX 218 MCCORDSVILLE, IN USA 46055
PHONE: (317)335-2602 **FAX: (317)335-3853**
web site: www.proportionair.com **email address: info@proportionair.com**