

Protect-Air USA

Miniature Regulators Distributed by

PROPORTION *AR*



MINIATURE REGULATORS

FOR SAFER USE OF FLUID, COMPRESSED AIR AND OTHER PNEUMATIC SYSTEMS

Buy online at ProtectAirUSA.com





What is the **CartReg**?

A pre-set and tamper proof pneumatic regulator for blow guns. Compact, inline and non-adjustable.

CartReg can easily be threaded into any 1/4" blow gun and is an economical and discreet means to maintaining the ideal pressure requirements and reducing overall noise (DBA) exposure. The preset miniature regulator is designed to meet OSHA and other safety agency requirements for 2 bar/30 psig maximum pressure for pneumatic air guns.

CartReg Benefits

- Safety: protects personnel, machinery & plant by avoiding pressure surges
- Ensures optimal air tool efficiency by supplying a constant pre-set pressure
- Prevents compressed air waste & limits excessive compressed air consumption. Reduces energy consumption.
- Lightweight, compact size and compatible with all pneumatic systems



CartReg

Technical Specifications	
Max Inlet Pressure	174 PSIG (12 bar)
Outlet pressures	30, 45, 60, 90, 120 PSI; 2, 4 bar
Thread Connection	Female/Male
Flows	12.36 SCFM (350 l/min)
Temperature Range	-4° to 140° F (-20° to 60° C)
Materials	Housing: Brass Other materials: Nitrile, rubber, stainless steel

*Other sizes available

Regulatory Compliance
<ul style="list-style-type: none"> • OSHA 1910.242(b)/1917.154 – 30 PSIG limit for cleaning purposes. • OSHA 1910.95 - Occupational noise exposure. • OSHA 1926.302(b)(5) - Safe operating levels.

Dimensions

Applications

- Pneumatic air gun
- Workshop air lines
- Many other applications
- Spray gun
- Pneumatic tools

THREAD CONNECTION	MAX INLET PRESSURE	MAX REGULATED OUTPUT PRESSURE	MAX FLOW	TOLERANCES	CARTREG PART NUMBER
1/4" NPT, F/M	174 psig	30 psig	12.5 scfm	+ 0/-4.5 psig (Pe 87 psig)	PCR233FS1229
1/4" NPT, F/M	174 psig	30 psig	12.5 scfm	± 8.7 psig (Pe 87 psig)	PCR233FS1230
1/4 BSP, F/M	12 bar	2 bar	350 lpm	± 0.6 bar (Pe 6 bar)	PCR233F0220
1/4" NPT, F/M	174 psig	45 psig	12.5 scfm	± 10.1 psig (Pe 87 psig)	PCR233FS1245
1/4" NPT, F/M	174 psig	60 psig	12.5 scfm	± 11.6 psig (Pe 87 psig)	PCR233FS1260
1/4 BSP, F/M	12 bar	4 bar	350 lpm	± 0.8 bar (Pe 6 bar)	PCR233F0240
1/4" NPT, F/M	174 psig	90 psig	12.5 scfm	± 14.5 psig (Pe 145 psig)	PCR233FS1290
1/4" NPT, F/M	174 psig	120 psig	12.5 scfm	± 17.5 psig (Pe 125 psig)	PCR233FS12120
1/4" F/F, BSP	NA	NA	NA	Adapter KIT	PCRA263F0221



Protect-Air USA
Miniature Regulators Distributed by
PROPORTIONAIR

877-406-3215

info@proportionair.com

Buy online at ProtectAirUSA.com



What is the **SaveAir**?

An independent diaphragm regulator that supplies a constant and exact outlet pressure regardless of input pressure fluctuations. Can be installed in any compressed air system.

The SaveAir prevents dynamic pressure waste that arises when the pressure and flow (at the process point) are unnecessarily higher than those specified by the original manufacturer to achieve the desired function.

SaveAir Benefits

- Supplies compressed air systems with pre-set pressure. No gauge needed.
- Prevents compressed air waste (also known as dynamic pressure waste). Saves energy.
- Reliable, small and compact design that is easy to install and affordable to purchase.
- Locked to prevent pressure changes. Increases device service life. Tamper proof.

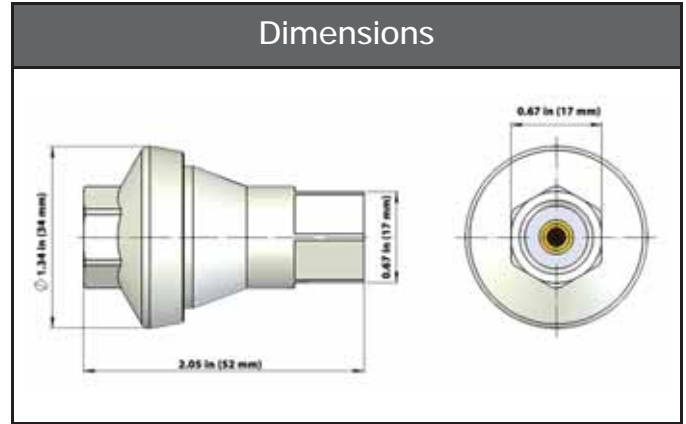


Technical Specifications	
Max Inlet Pressure	255 PSIG (18 bar)
Outlet Pressures (preset)	15 to 135 PSIG; 1.5 to 4 bar*
Thread Connection	1/4" NPT, 1/4 BSP
Flows	14 SCFM
Temperature Range	32° to 140° F (0° to 60° C)
Materials	Housing: Zinc Other materials: Nitrile rubber, brass, stainless steel, PPH
Weight	80 grams/2.82 oz.

*Other sizes available

Installation

The regulator ensures that a constant pressure is always maintained, despite the normal pressure fluctuations in a system. To avoid unnecessary loss of pressure in long pipes or hoses, the regulator has to be mounted as close as possible to the point of consumption.



Applications

- Pneumatic supply lines
- Automotive
- Pneumatic power tools
- Pump, flow stabilization
- Workshop equipment
- Many other pneumatic applications

THREAD CONNECTION	MAX INLET PRESSURE	MAX REGULATED OUTPUT PRESSURE	TOLERANCES	MAX FLOW (at 174 psig; Δp 7 psig)	SAVEAIR PART NUMBER
1/4" NPT	255 psig (18 bar)	15 psig	±4.35 psig	14.2 scfm	PIR231AS1215
1/4" NPT	255 psig (18 bar)	23 psig	±4.35 psig	14.2 scfm	PIR231AS1223
1/4" NPT	255 psig (18 bar)	30 psig	±4.35 psig	21.3 scfm	PIR231AS1230
1/4" NPT	255 psig (18 bar)	35 psig	±4.35 psig	21.3 scfm	PIR231AS1235
1/4" NPT	255 psig (18 bar)	45 psig	±4.35 psig	24.7 scfm	PIR231AS1245
1/4" NPT	255 psig (18 bar)	50 psig	±10%	24.7 scfm	PIR231AS1250
1/4" NPT	255 psig (18 bar)	60 psig	±10%	24.7 scfm	PIR231AS1255
1/4" NPT	255 psig (18 bar)	65 psig	±10%	24.7 scfm	PIR231AS1265
1/4" NPT	255 psig (18 bar)	75 psig	±10%	24.7 scfm	PIR231AS1275
1/4" NPT	255 psig (18 bar)	80 psig	±10%	24.7 scfm	PIR231AS1280
1/4" NPT	255 psig (18 bar)	90 psig	±10%	28.3 scfm	PIR231AS1290
1/4" NPT	255 psig (18 bar)	95 psig	±10%	28.3 scfm	PIR231AS1295
1/4" NPT	255 psig (18 bar)	100 psig	±10%	28.3 scfm	PIR231AS12100
1/4" NPT	255 psig (18 bar)	110 psig	±10%	28.3 scfm	PIR231AS12110
1/4" NPT	255 psig (18 bar)	120 psig	±10%	28.3 scfm	PIR231AS12120
1/4" NPT	255 psig (18 bar)	135 psig	±10%	28.3 scfm	PIR231AS12135
1/4" BSP	255 psig (18 bar)	1.5 bar	±0.3 bar	14.2 scfm	PIR231A0215
1/4" BSP	255 psig (18 bar)	3.5 bar	±0.3 bar	24.7 scfm	PIR231A0235
1/4" BSP	255 psig (18 bar)	4.0 bar	±0.3 bar	24.7 scfm	PIR231A0240



Protect-Air USA
Miniature Regulators Distributed by
PROPORTIONAIR

877-406-3215

info@proportionair.com

Buy online at ProtectAirUSA.com



What is the ToolReg?

The ToolReg regulator is an independent piston regulator that can be mounted on any pneumatic tool or installed in every compressed air system. It supplies a constant, exact outlet pressure regardless of the inlet pressure. The pressure is factory-set and cannot be changed. The ToolReg prevents “dynamic pressure waste.” This arises when the pressure and flow at the withdrawal point are unnecessarily higher than those specified by the manufacturer to achieve the desired function. Dynamic pressure waste is extremely costly, and a waste of energy that may be found throughout industry.

ToolReg Benefits

- Safety: protects personnel, machinery & plant by avoiding pressure surges
- Ensures optimal air tool efficiency by supplying a constant pre-set pressure
- Prevents compressed air waste & limits excessive compressed air consumption. Reduces energy consumption.
- Lightweight, compact size and compatible with all pneumatic systems



Technical Specifications	
Max Inlet Pressure	25 bar / 365 psig
Outlet Pressures	30, 45, 60, 90, 105, 120 PSI
Thread Connection	Female/Female, Female/Male 1/4" - 3/4"
Max Flow	26-162 scfm
Temperature Range	0°C to 60°C (32°F to 140°F)
Weight and Dimensions	See table
Materials	Housing: Aluminum, Spring: Stainless Steel, O-Ring: Nitrile Rubber, Valve Seat: PPH, Spindle: Nickel Plated Brass

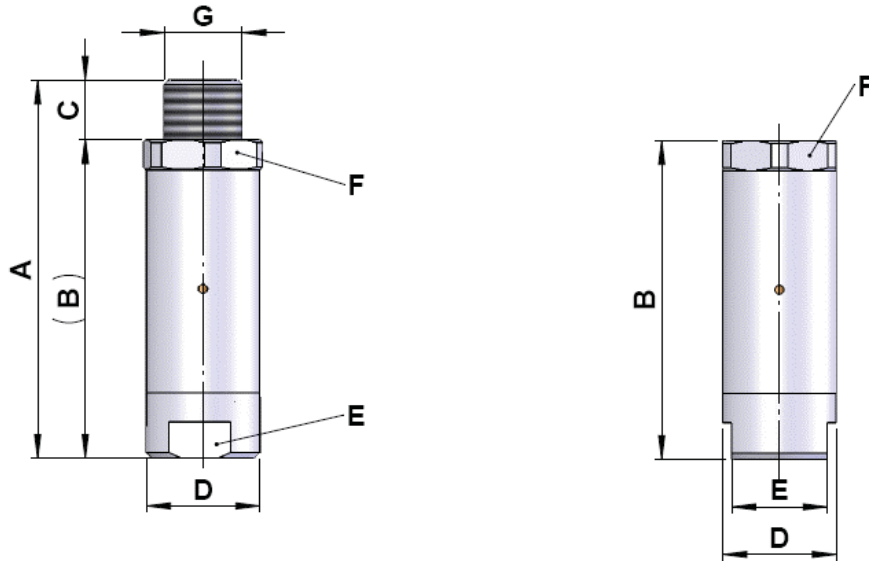
Applications

- Pneumatic impact wrench
- Pipe plugs
- Pick and place units
- Nail guns
- Pneumatic power tools
- Lifting bags
- Pneumatic doors
- Workshop air lines
- Jackhammers

Regulatory Compliance

- EN ISO 4414/ISO 4414 § 5.4.5.11.1 Machinery Directive 2006/42/EG
- OSHA USA: 1926 Safety & Health Regulations for Construction, Power-operated hand tools - 1926.302(b)(7) OSHA regulations (Standards - 29 CFR)
- OHSAS 18001 (to be replaced by ISO 45001) Occupational Health and Safety Standard

Dimensions - See table for values



Protect-Air USA
Miniature Regulators Distributed by
PROPORTIONAIR

877-406-3215

info@proportionair.com

Buy online at ProtectAirUSA.com

ToolReg

THREAD CONNECTION	MAX INLET PRESSURE	MAX REGULATED OUTPUT PRESSURE	MAX FLOW Pe = 180 PSI, Δ7.5 psi	TOLERANCES	WEIGHT	DIMENSIONS (in)						TOOLREG PART NUMBER
						A	B	C	D	E	F	
1/4" F/F, NPT	365 psig (25 bar)	30 psig	17 scfm	± 4.35 psig	1.16 oz/33 g		2.32		0.75	0.63	0.75	PTR232AS1230
1/4" F/M, NPT	365 psig (25 bar)	30 psig	17 scfm	± 4.35 psig	1.41 oz/40 g	2.72	2.32	0.40	0.75	0.63	0.75	PTR232FS1230
1/4" F/F, NPT	365 psig (25 bar)	45 psig	19 scfm	± 4.35 psig	1.16 oz/33 g		2.32		0.75	0.63	0.75	PTR232AS1245
1/4" F/M, NPT	365 psig (25 bar)	45 psig	19 scfm	± 4.35 psig	1.41 oz/40 g	2.72	2.32	0.40	0.75	0.63	0.75	PTR232FS1245
1/4" F/F, NPT	365 psig (25 bar)	60 psig	21 scfm	± 6 psig	1.16 oz/33 g		2.32		0.75	0.63	0.75	PTR232AS1260
1/4" F/M, NPT	365 psig (25 bar)	60 psig	21 scfm	± 6 psig	1.41 oz/40 g	2.72	2.32	0.40	0.75	0.63	0.75	PTR232FS1260
1/4" F/F, NPT	365 psig (25 bar)	75 psig	23 scfm	± 7.5 psig	1.16 oz/33 g		2.32		0.75	0.63	0.75	PTR232AS1275
1/4" F/M, NPT	365 psig (25 bar)	75 psig	23 scfm	± 7.5 psig	1.41 oz/40 g	2.72	2.32	0.40	0.75	0.63	0.75	PTR232FS1275
1/4" F/F, NPT	365 psig (25 bar)	90 psig	25 scfm	± 9 psig	1.16 oz/33 g		2.32		0.75	0.63	0.75	PTR232AS1290
1/4" F/M, NPT	365 psig (25 bar)	90 psig	25 scfm	± 9 psig	1.41 oz/40 g	2.72	2.32	0.40	0.75	0.63	0.75	PTR232FS1290
1/4" F/F, NPT	365 psig (25 bar)	105 psig	25 scfm	± 10 psig	1.16 oz/33 g		2.32		0.75	0.63	0.75	PTR232AS12105
1/4" F/M, NPT	365 psig (25 bar)	105 psig	25 scfm	± 10 psig	1.41 oz/40 g	2.72	2.32	0.40	0.75	0.63	0.75	PTR232FS12105
1/4" F/F, NPT	365 psig (25 bar)	120 psig	28 scfm	± 12 psig	1.16 oz/33 g		2.32		0.75	0.63	0.75	PTR232AS12120
1/4" F/M, NPT	365 psig (25 bar)	120 psig	28 scfm	± 12 psig	1.41 oz/40 g	2.72	2.32	0.40	0.75	0.63	0.75	PTR232FS12120
3/8" F/F, NPT	365 psig (25 bar)	30 psig	49 scfm	± 4.35 psig	2.12 oz/60 g		2.48		0.98	0.87	0.98	PTR232AS1330
3/8" F/F, NPT	365 psig (25 bar)	45 psig	49 scfm	± 4.35 psig	2.12 oz/60 g		2.48		0.98	0.87	0.98	PTR232AS1345
3/8" F/F, NPT	365 psig (25 bar)	60 psig	63 scfm	± 6 psig	2.12 oz/60 g		2.48		0.98	0.87	0.98	PTR232AS1360
3/8" F/F, NPT	365 psig (25 bar)	75 psig	63 scfm	± 7.5 psig	2.12 oz/60 g		2.48		0.98	0.87	0.98	PTR232AS1375
3/8" F/F, NPT	365 psig (25 bar)	90 psig	77 scfm	± 9 psig	2.12 oz/60 g		2.48		0.98	0.87	0.98	PTR232AS1390
3/8" F/M, NPT	365 psig (25 bar)	90 psig	77 scfm	± 9 psig	2.12 oz/60 g	2.95	2.48	0.47	0.98	0.87	0.98	PTR232FS1390
3/8" F/F, NPT	365 psig (25 bar)	105 psig	77 scfm	± 10 psig	2.12 oz/60 g		2.48		0.98	0.87	0.98	PTR232AS13105
3/8" F/F, NPT	365 psig (25 bar)	120 psig	92 scfm	± 12 psig	2.12 oz/60 g		2.48		0.98	0.87	0.98	PTR232AS13120
1/2" F/F, NPT	365 psig (25 bar)	30 psig	49 scfm	± 4.35 psig	3.17 oz/90 g		2.68		1.18	1.06	1.18	PTR232AS1430
1/2" F/M, NPT	365 psig (25 bar)	30 psig	49 scfm	± 4.35 psig	3.17 oz/90 g	3.27	2.68	0.20	1.18	1.06	1.18	PTR232FS1430
1/2" F/F, NPT	365 psig (25 bar)	45 psig	49 scfm	± 4.35 psig	3.17 oz/90 g		2.68		1.18	1.06	1.18	PTR232AS1445
1/2" F/M, NPT	365 psig (25 bar)	45 psig	49 scfm	± 4.35 psig	3.17 oz/90 g	3.27	2.68	0.20	1.18	1.06	1.18	PTR232FS1445
1/2" F/F, NPT	365 psig (25 bar)	60 psig	63 scfm	± 6 psig	3.17 oz/90 g		2.68		1.18	1.06	1.18	PTR232AS1460
1/2" F/M, NPT	365 psig (25 bar)	60 psig	63 scfm	± 6 psig	3.17 oz/90 g	3.27	2.68	0.20	1.18	1.06	1.18	PTR232FS1460
1/2" F/F, NPT	365 psig (25 bar)	75 psig	63 scfm	± 7.5 psig	3.17 oz/90 g		2.68		1.18	1.06	1.18	PTR232AS1475
1/2" F/F, NPT	365 psig (25 bar)	90 psig	77 scfm	± 9 psig	3.17 oz/90 g		2.68		1.18	1.06	1.18	PTR232AS1490
1/2" F/M, NPT	365 psig (25 bar)	90 psig	77 scfm	± 9 psig	3.17 oz/90 g	3.27	2.68	0.20	1.18	1.06	1.18	PTR232FS1490
1/2" F/F, NPT	365 psig (25 bar)	105 psig	77 scfm	± 10 psig	3.17 oz/90 g		2.68		1.18	1.06	1.18	PTR232AS14105
1/2" F/F, NPT	365 psig (25 bar)	120 psig	92 scfm	± 12 psig	3.17 oz/90 g		2.68		1.18	1.06	1.18	PTR232AS14120
3/4" F/F, NPT	365 psig (25 bar)	30 psig	88 scfm	± 4.35 psig	9.88 oz/280 g		4		1.58	1.34	1.58	PTR232AS1530
3/4" F/F, NPT	365 psig (25 bar)	60 psig	113 scfm	± 6 psig	9.88 oz/280 g		4		1.58	1.34	1.58	PTR232AS1560
3/4" F/F, NPT	365 psig (25 bar)	90 psig	138 scfm	± 9 psig	9.88 oz/280 g		4		1.58	1.34	1.58	PTR232AS1590
3/4" F/F, NPT	365 psig (25 bar)	120 psig	162 scfm	± 12 psig	9.88 oz/280 g		4		1.58	1.34	1.58	PTR232AS15120



Protect-Air USA
Miniature Regulators Distributed by
PROPORTION AIR



877-406-3215



info@proportionair.com



Buy online at ProtectAirUSA.com



What is the **HoseGuard**?

A pre-set air fuse that offers simple but effective protection for pneumatic systems in the event of a broken compressed air hose or pipe.

Reduces the potential for an air hose to break and whip around violently while potentially damaging equipment and injuring personnel. Should the volume of air exceed the factory pre-set value, the HoseGuard automatically senses this increase and immediately shuts off the air supply.

HoseGuard Benefits

- Protects personnel, equipment and facilities from dangerous pneumatic hose breaks.
- Maintenance friendly - a small bleed allows for easy repairs if/when a hose does break.
- Reliable, factory pre-set and tamper-proof. No adjustment necessary - simply install.
- Lightweight, compact size and compatible with all pneumatic systems



HoseGuard

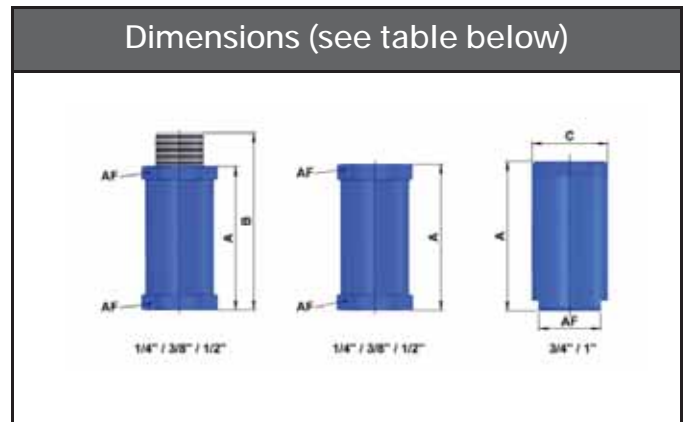
Technical Specifications	
Max Inlet Pressure	255 PSIG (18 bar)
Sizes	1/4", 3/8", 1/2", 3/4", 1", 2"
Thread Connection	Male/Female [†] Female/Female
Flows	Low [†] , Standard, High [†]
Temperature Range	1/4", 3/8", 1/2": -4° to 176° F (-20° to 80° C) 3/4", 1", 2": -4° to 248° F (-20° to 120° C)
Materials	Housing: Aluminum* Other: Nitrile, rubber, plastic, stainless steel

[†]Not available on all sizes
*Stainless steel available by special order

Applications

- Offshore
- Power plants
- Amusement parks
- Factories
- Assembly lines
- Many more

Regulatory Compliance
<ul style="list-style-type: none"> EN ISO 4414/ISO 4414 § 5.4.5.11.1 Machinery Directive 2006/42/EG OSHA USA: 1926 Safety & Health Regulations for Construction, Power-operated hand tools - 1926.302(b)(7) OSHA regulations (Standards - 29 CFR) OHSAS 18001 (to be replaced by ISO 45001) Occupational Health and Safety Standard



Thread connection*	Flow Type	Max Inlet Pressure	Flow Closing Point at 120 PSIG**	Dimensions (in)				Weight (g/oz)	Part Number
				A	B	C	AF		
1/4", F/F, NPT	Low	255 psig (18 bar)	~1.8 SCFM	1.93			.87	33/1.16	PHG281ZL1211
1/4", F/F, NPT	Standard	255 psig (18 bar)	~27 SCFM	1.93			.87	33/1.16	PHG281A1211
1/4", F/F, NPT	High	255 psig (18 bar)	~35 SCFM	1.93			.87	33/1.16	PHG281ZH1211
1/4", M/F, NPT	Low	255 psig (18 bar)	~1.8 SCFM	2.32	1.93		.87	40/1.41	PHG281ZL1221
1/4", M/F, NPT	Standard	255 psig (18 bar)	~27 SCFM	2.32	1.93		.87	40/1.41	PHG281A1221
1/4", M/F, NPT	High	255 psig (18 bar)	~35 SCFM	2.32	1.93		.87	40/1.41	PHG281ZH1221
3/8" F/F, NPT	Standard	255 psig (18 bar)	~38 SCFM	2.29			1.06	60/2.12	PHG281A1311
3/8" F/F, NPT	High	255 psig (18 bar)	~51 SCFM	2.29			1.06	60/2.12	PHG281ZH1311
3/8" M/F, NPT	Standard	255 psig (18 bar)	~38 SCFM	2.76	2.29		1.06	67/2.36	PHG281A1321
3/8" M/F, NPT	High	255 psig (18 bar)	~51 SCFM	2.76	2.29		1.06	67/2.36	PHG281ZH1321
1/2" F/F, NPT	Standard	255 psig (18 bar)	~107 SCFM	2.56			1.18	78/2.75	PHG281A1411
1/2" F/F, NPT	High	255 psig (18 bar)	~121 SCFM	2.56			1.18	78/2.75	PHG281ZH1411
1/2" M/F, NPT	Standard	255 psig (18 bar)	~107 SCFM	3.11	2.56		1.18	85/3	PHG281A1421
1/2" M/F, NPT	High	255 psig (18 bar)	~121 SCFM	3.11	2.56		1.18	85/3	PHG281ZH1421
3/4" F/F, NPT	Standard	255 psig (18 bar)	~144 SCFM	2.99		1.42	1.18	107/3.77	PHG281A1511
3/4" F/F, NPT	High	255 psig (18 bar)	~184 SCFM	2.99		1.42	1.18	107/3.77	PHG281ZH1511
1" F/F, NPT	Standard	255 psig (18 bar)	~184 SCFM	3.94		1.97	1.61	320/11.29	PHG281A1611
1" F/F, NPT	High	255 psig (18 bar)	~268 SCFM	3.94		1.97	1.61	320/11.29	PHG281ZH1611
2" F/F, NPT	- Contact us -	255 psig (18 bar)	~456 SCFM	- Contact us -					PHG281A1911

*Other sizes and BSP connection available; please contact us to learn more.

**Data available for other flow closing point pressures on protectairusa.com.



Protect-Air USA
Miniature Regulators Distributed by
PROPORTIONAIR

877-406-3215

info@proportionair.com

Buy online at ProtectAirUSA.com



What is the **OxyReg**?

A pre-set, inline and non-adjustable regulator for oxygen, nitrogen and other inert gases. OxyReg ensures a constant output of pressure.

OxyReg is made the FDA and NSF-certified material Grivory GV-5 FWA and has stainless steel internal components – ideal for applications in the medical industry.

OxyReg Benefits

- Reliable, lightweight and service free - no adjustment needed.
- Reduces oxygen waste, which reduces energy use and cost.
- Protects equipment by reducing risk of overpressurization.
- Competitively priced, tamper proof and factory pre-set pressure.



OxyReg

Technical Specifications

Max Inlet Pressure	260 PSIG (18 bar)
Outlet Pressures	15-120 PSIG (see table below)
Max Flow	400-800 L/min (14.2-28.3 SCFM) (see table below)
Size	1/4"
Thread Connection	NPT (BSP available by request)
Temperature Range	32° to 140° F (0° to 60° C)
Materials	Housing: Grivory GV-5 FWA Spindle: DIN 1.4404/AISI 316L Diaphragm: FPM O-Ring: FPM Spring: DIN 1.4310/AISI 301 Valve Seat: PPH/Santoprene
Weight	40 grams/1.41 oz.

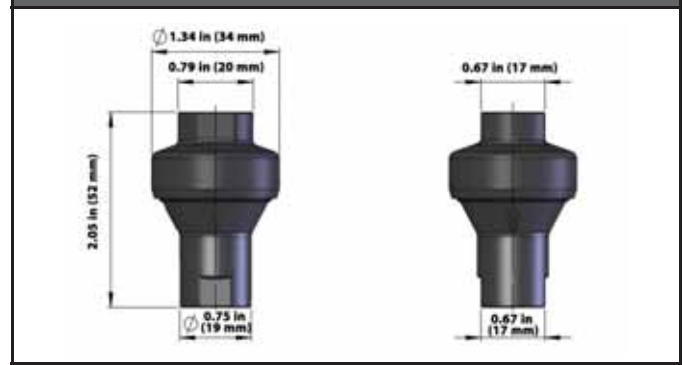
Applications

- Anesthetic equipment
- Respiratory equipment
- Food and drink preservation equipment
- Nitrogen filling system

Installation

The oxygen regulator is made of Grivory® GV-5 FWA and stainless steel internal parts. These high quality materials are ideal for critical application areas such as respiratory and other medical equipment. The regulator ensures that a constant pressure is always maintained, despite the normal pressure fluctuations in a system. *To avoid unnecessary loss of pressure in long pipes or hoses, mount the regulator as close as possible to the point of consumption.*

Dimensions



THREAD CONNECTION	MAX INLET PRESSURE	MAX REGULATED OUTPUT PRESSURE	MAX FLOW (L/min - SCFM)	TOLERANCES	OXYREG PART NUMBER
1/4" NPT	260 psig	15 psig	400 - 14.2	±4.35 psig	POR234KM1215
1/4" NPT	260 psig	23 psig	400 - 14.2	±4.35 psig	POR234KM1223
1/4" NPT	260 psig	30 psig	600 - 21.3	±4.35 psig	POR234KM1230
1/4" NPT	260 psig	35 psig	600 - 21.3	±4.35 psig	POR234KM1235
1/4" NPT	260 psig	45 psig	700 - 24.7	±4.35 psig	POR234KM1245
1/4" NPT	260 psig	50 psig	700 - 24.7	±10%	POR234KM1250
1/4" NPT	260 psig	60 psig	700 - 24.7	±10%	POR234KM1260
1/4" NPT	260 psig	65 psig	700 - 24.7	±10%	POR234KM1265
1/4" NPT	260 psig	75 psig	700 - 24.7	±10%	POR234KM1275
1/4" NPT	260 psig	80 psig	700 - 24.7	±10%	POR234KM1280
1/4" NPT	260 psig	90 psig	800 - 28.3	±10%	POR234KM1290
1/4" NPT	260 psig	95 psig	800 - 28.3	±10%	POR234KM1295
1/4" NPT	260 psig	100 psig	800 - 28.3	±10%	POR234KM12100
1/4" NPT	260 psig	120 psig	800 - 28.3	±10%	POR234KM12120



Protect-Air USA
Miniature Regulators Distributed by

PROPORTIONAIR

877-406-3215



info@proportionair.com



Buy online at ProtectAirUSA.com



What is the FluidReg?

The FluidReg is an independent membrane regulator that can be installed in every fluid or compressed air pneumatic system. It supplies a constant, exact outlet pressure regardless of the input pressure. The pressure is factory-set and cannot be changed. This ensures that nobody can alter the specified pressure. It is well known that the pressure of a water or fluid line normally is too high, fluctuates, and varies according to the height of the building. In that case, the in-line FluidReg protects all equipment and components placed after it, so that they will only receive the correct pressure. This is particularly important for all machinery/plants for/or with dosing of liquids, as this will prevent stops in production. Furthermore, if the FluidReg is combined with a sprinkler nozzle, the best basis for cooling/cleaning by means of water, spray or fog is created.

What is the EcoReg?

The pressure regulator ensures a constant and precise outlet pressure independent from the inlet pressure. The pressure value has been factory preset and cannot be changed. This ensures that no one can manipulate the specified pressure value. The choice of high quality materials allows the EcoReg® to be used in various applications across different industries. Be it in water dispensers, in different irrigation systems or in respiratory oxygen machines. The EcoReg® with its preset pressure will prevent unwanted pressure manipulation and protect the machines or help reduce wastage of water.

Fluid Regulator Benefits

- NSF certified (EcoReg)
- Service free - no adjustments needed
- Factory preset pressure & tamperproof
- Small footprint & lightweight
- Reduces consumption
- Easy to mount in any water supply system



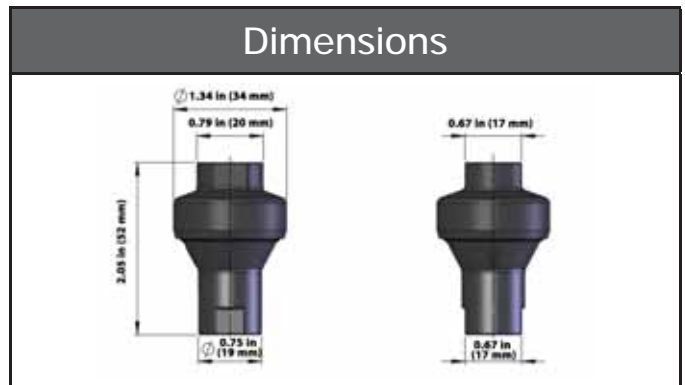
Fluid Regulators

Technical Specifications	
Max Inlet Pressure	Water: 10 bar/145 psig Other gases: 18 bar/260 psig
Size (output pressure)	15, 30, 45, 60, 75, 90, 120 psi
Flow (water)	7 l/min / 0.25 scfm
Size	1/4"
Thread Connection	Female/Female, NPT, BSP
Temperature Range	Water: 4°C to 60°C (39°F to 140°F) Gases: 0°C to 60°C (32°F to 140°F)
Weight	40 grams/0.11 oz
Materials	FluidReg: Housing: Grivory® Spring: DIN 1.4310 / AISI 301 Valve Seat: PPH Spindle: DIN 1.4404 / AISI 316L
	EcoReg: Housing: Brass nickel plated Diaphragm: Nitrile / FPM Spring: Stainless Steel Valve Seat: PPH

Applications	
<ul style="list-style-type: none"> Water dispensers Coffee & drink machines Filling machines Cooking ovens Fridges & ice makers Plumbing 	<ul style="list-style-type: none"> Respiratory equipment Laboratory dosing equipment Pharmacies Irrigation systems Sprinklers Misting

Regulatory Compliance
<ul style="list-style-type: none"> DIN 50930-6 / FDA/EU drinking water directives, NSF/ANSI 169 and all applicable requirements. (EcoReg)

Installation
<ul style="list-style-type: none"> The regulator ensures that a constant pressure is always maintained, despite the normal pressure fluctuations in a system. The regulator is intended for use with various fluids such as Oxygen or other media or with compressed air. To avoid unnecessary loss of pressure in long pipes or hoses, the regulator has to be mounted as close as possible to the point of consumption.



THREAD CONNECTION	MAX INLET PRESSURE	MAX REGULATED OUTPUT PRESSURE	MAX FLOW (Water)	MAX FLOW (Gas)	TOLERANCES	FLUIDREG PART NUMBER	ECOREG PART NUMBER
1/4" NPT	145 psig	15 psig	3000 ml/min	400 l/min / 14.2 scfm	± 2 psig	PWR239AS1215	PER239KS1215
1/4" NPT	145 psig	30 psig	4000 ml/min	600 l/min / 21.3 scfm	± 4 psig	PWR239AS1230	PER239KS1230
1/4" NPT	145 psig	45 psig	4000 ml/min	700 l/min / 24.7 scfm	± 4.5 psig	PWR239AS1245	PER239KS1245
1/4" NPT	145 psig	60 psig	4000 ml/min	700 l/min / 24.7 scfm	± 6 psig	PWR239AS1260	PER239KS1260
1/4" NPT	145 psig	75 psig	4000 ml/min	700 l/min / 24.7 scfm	± 7.5 psig	PWR239AS1275	PER239KS1275
1/4" NPT	145 psig	90 psig	4000 ml/min	800 l/min / 28.3 scfm	± 9 psig	PWR239AS1290	PER239KS1290
1/4" NPT	145 psig	100 psig	4000 ml/min	800 l/min / 28.3 scfm	± 10 psig	PWR239AS12100	PER239KS12100
1/4" NPT	145 psig	120 psig	4000 ml/min	800 l/min / 28.3 scfm	± 10 psig	PWR239AS12120	PER239KS12120



Protect-Air USA
Miniature Regulators Distributed by
PROPORTIONAIR

877-406-3215

info@proportionair.com

Buy online at ProtectAirUSA.com

Protect-Air® products help users comply with the safety regulations regarding the operation of pneumatic equipment issued by industrial standards organizations such as ISO, OSHA and others.

Protect-Air products are intended to increase efficiency, protect employees, protect equipment and ensure cost saving production throughout all levels of the workplace. As employers continue to address occupational health and safety issues with mechanisms like machine safety enclosures and barrier type guarding, consideration should also be given to potentially dangerous devices like compressed air tools and systems. The Protect-Air line of pneumatic safety regulators offers a clear path to increased protection from unsafe machine operation as well as compliance with current industry regulations.

ProtectairUSA.com is owned and operated by Proportion-Air, Inc. – an American manufacturer of electro-pneumatic pressure regulators and flow controllers – Proportion-Air is a distributor of Protect-Air products in the United States.

Proportion-Air's team of experts in pneumatic systems, fluid technology and electronics is at your service to help you find the right product for your application and task.

WARRANTY: Protect-Air products are guaranteed to be free of manufacturing defects 12 months from date of manufacture. Damage due to user misuse or abuse is not covered. Contact us for more information.

Feel free to contact us with any questions: info@proportionair.com

Protect-Air USA

Miniature Regulators Distributed by

PROPORTION_{AIR}

CartReg

EcoReg

FluidReg



HoseGuard

OxyReg



SaveAir

ToolReg

Protect-Air USA
Miniature Regulators Distributed by

PROPORTION_{AIR}

 877-406-3215

 info@proportionair.com

 Buy online at ProtectAirUSA.com