



What is the **OxyReg**?

A pre-set, inline and non-adjustable regulator for oxygen, nitrogen and other inert gases. OxyReg ensures a constant output of pressure.

OxyReg is made the FDA and NSF-certified material Grivory GV-5 FWA and has stainless steel internal components – ideal for applications in the medical industry.

OxyReg Benefits

- Reliable, lightweight and service free - no adjustment needed.
- Reduces oxygen waste, which reduces energy use and cost.
- Protects equipment by reducing risk of overpressurization.
- Competitively priced, tamper proof and factory pre-set pressure.

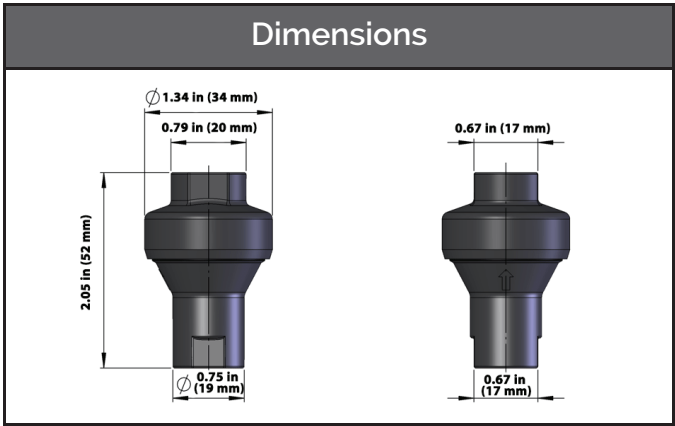


Technical Specifications	
Max Inlet Pressure	260 PSIG (18 bar)
Outlet Pressures	15-120 PSIG (see table below)
Max Flow	400-800 L/min (14.2-28.3 SCFM) (see table below)
Size	1/4"
Thread Connection	NPT (BSP available by request)
Temperature Range	32° to 140° F (0° to 60° C)
Materials	Housing: Grivory GV-5 FWA Spindle: DIN 1.4404/AISI 316L Diaphragm: FPM O-Ring: FPM Spring: DIN 1.4310/AISI 301 Valve Seat: PPH/Santoprene
Weight	40 grams/1.41 oz.

Applications	
• Anesthetic equipment	• Respiratory equipment
• Food and drink preservation equipment	• Nitrogen filling system

Installation

The oxygen regulator is made of Grivory® GV-5 FWA and stainless steel internal parts. These high quality materials are ideal for critical application areas such as respiratory and other medical equipment. The regulator ensures that a constant pressure is always maintained, despite the normal pressure fluctuations in a system. *To avoid unnecessary loss of pressure in long pipes or hoses, mount the regulator as close as possible to the point of consumption.*



THREAD CONNECTION	MAX INLET PRESSURE	MAX REGULATED OUTPUT PRESSURE	MAX FLOW (L/min - SCFM)	TOLERANCES	OXYREG PART NUMBER
1/4" NPT	260 psig	15 psig	400 - 14.2	±4.35 psig	POR234KM1215
1/4" NPT	260 psig	23 psig	400 - 14.2	±4.35 psig	POR234KM1223
1/4" NPT	260 psig	30 psig	600 - 21.3	±4.35 psig	POR234KM1230
1/4" NPT	260 psig	35 psig	600 - 21.3	±4.35 psig	POR234KM1235
1/4" NPT	260 psig	45 psig	700 - 24.7	±4.35 psig	POR234KM1245
1/4" NPT	260 psig	50 psig	700 - 24.7	±10%	POR234KM1250
1/4" NPT	260 psig	60 psig	700 - 24.7	±10%	POR234KM1260
1/4" NPT	260 psig	65 psig	700 - 24.7	±10%	POR234KM1265
1/4" NPT	260 psig	75 psig	700 - 24.7	±10%	POR234KM1275
1/4" NPT	260 psig	80 psig	700 - 24.7	±10%	POR234KM1280
1/4" NPT	260 psig	90 psig	800 - 28.3	±10%	POR234KM1290
1/4" NPT	260 psig	95 psig	800 - 28.3	±10%	POR234KM1295
1/4" NPT	260 psig	100 psig	800 - 28.3	±10%	POR234KM12100
1/4" NPT	260 psig	120 psig	800 - 28.3	±10%	POR234KM12120



Protect-Air USA
Miniature Regulators Distributed by
PROPORTION AIR

877-406-3215

info@proportionair.com

Buy online at ProtectAirUSA.com