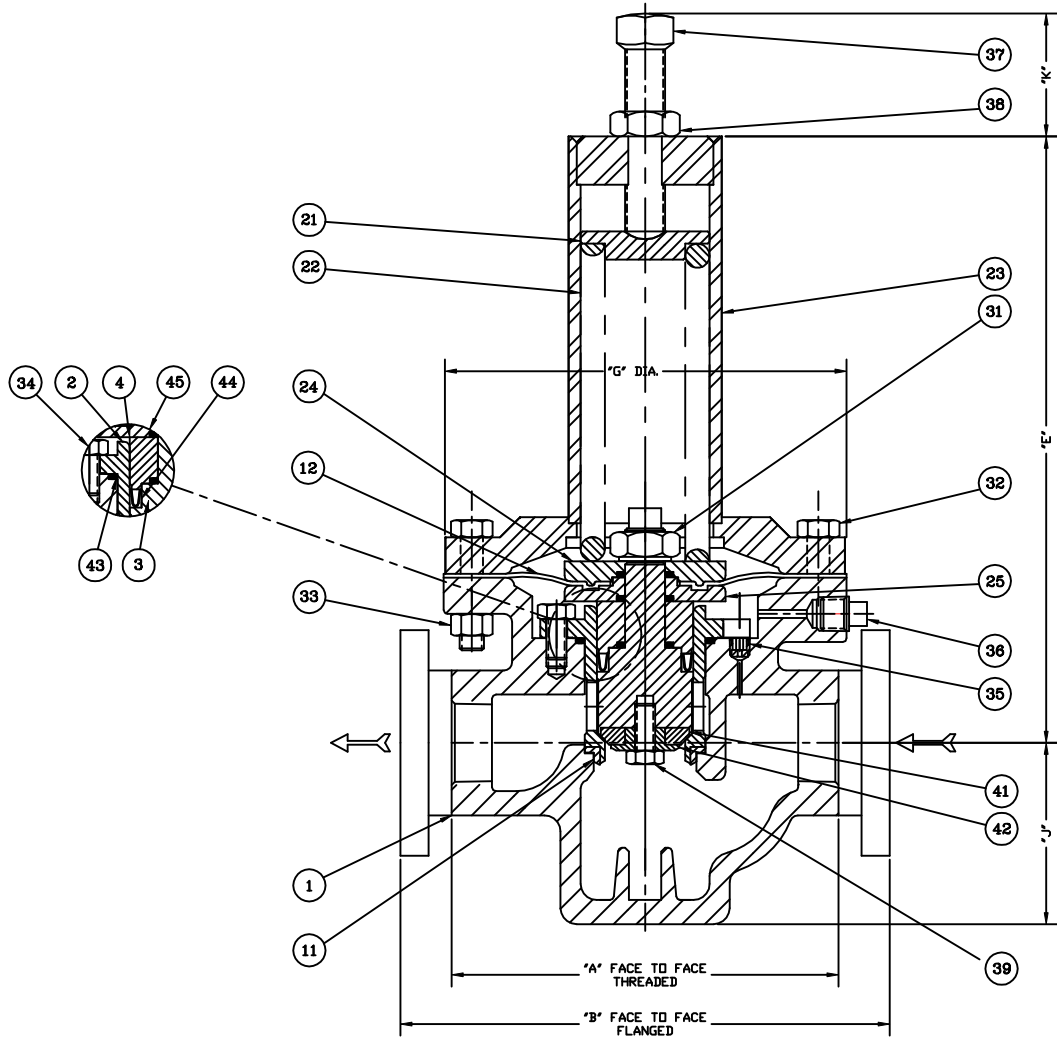


VALVE SIZE	"A" THREADED ENDS	"B" FLANGED ENDS								"E" DIM	"G" DIA	"J" DIM	"K" MAX
		125# C.I./D.I.	150# C.S./S.S.	150# BRONZE	250# C.I./D.I.	300# C.S./S.S.	300# BRONZE	600# C.S./S.S.	1500# C.S./S.S.				
1/2"	6"		8 3/8"		8 3/8"		8 3/4"	11 3/4"	9 11/32"	6 1/4"	2 13/16"	3 1/4"	
3/4"	6"		8 3/8"		8 3/8"		8 3/4"	11 3/4"	9 11/32"	6 1/4"	2 13/16"	3 1/4"	
1"	6"		8 3/8"		8 3/8"		8 3/4"	11 3/4"	9 11/32"	6 1/4"	2 13/16"	3 1/4"	
1 1/2"	9 7/8"		12 1/2"		12 1/2"		13 1/2"	19 1/2"	11 5/8"	7"	3 3/4"	3 1/4"	
2"	9 7/8"		12 1/2"		12 1/2"		13 1/2"	19 1/2"	12 1/16"	8"	4"	3 1/4"	
3"		12"	12"	12"	12 1/2"	12 1/2"	12 1/2"	13 1/4"	20 3/32"	10 3/4"	5 5/16"	4 1/2"	
4"		14"	14"	14"	14 1/2"	14 1/2"	14 1/2"	15 1/2"	20 3/32"	10 3/4"	5 5/16"	4 1/2"	

REV	DESCRIPTION	DATE	INITIAL
A	BS BACK PRESSURE	05/17/17	QSG



0.5" THRU 4" BS BACK PRESSURE

ITEM NO.	QTY REQ.	DESCRIPTION
45	3	STEM SEAL
44	1	PISTON SEAL
43	1	CYLINDER SEAL
42	1	WASHER
41	1	DISC
39	1	STEM BOLT
38	1	LOCK NUT
37	1	ADJUSTING SCREW
36	1	PIPE PLUG
35	1	INTERNAL PLUG
34	3	CYLINDER BOLT
33	6	BODY NUT
32	6	BODY BOLT
31	1	STEM NUT
25	1	LOWER MEMBRANE PLATE
24	1	UPPER MEMBRANE PLATE
23	1	SPRING CHAMBER ASSEMBLY
22	1	ADJUSTING SPRING
21	1	SPRING PUSHER
12	1	MEMBRANE
11	1	MACHINED SEAT
4	1	MACHINED PISTON
3	1	MACHINED STEM
2	1	CAST CYLINDER
1	1	CAST BODY

DRAWN BY: QSG		REV NO. A	
DATE: 05/17/17		SCALE: N.T.S.	
BURLING VALVE PORT ARTHUR, TX		REGULATOR ASSEMBLY TYPE BS (TYPE 5) 0.5 IN - 4 IN	
		BS BACK PRESSURE	